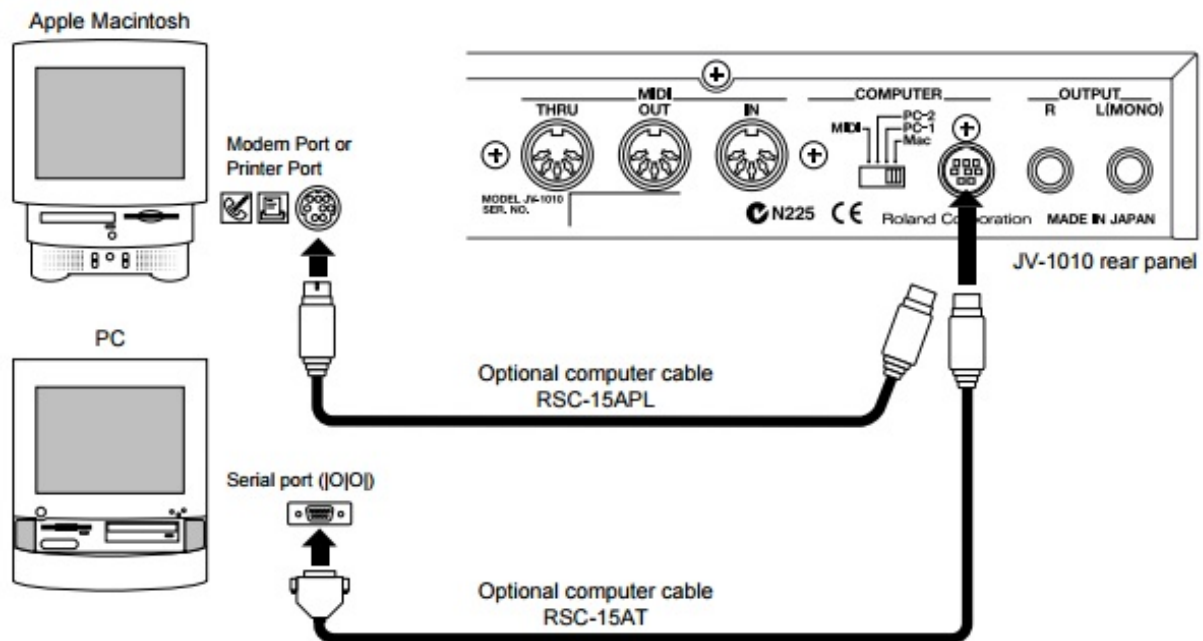


Roland JV-1010 (sf2).rarl

Connect the other end of the computer cable to the JV-1010's COMPUTER connector.



DOWNLOAD: <https://tinurli.com/29cprk>

Download

a9c2e16639

[TERA EU Old Launcher - The Exiled Realm Of Arborea Lucky Patcher](#)
[akoTUBE.com - Pinay hubad in many faces and positions \(29\).jpg](#)
[Batzal Roof Designer For 3ds Max 2013 Crack apocrifos berserk network calidad](#)
[Partition Bad Disk 3.4.1 Setup Patch - \[SH\] Serial Key keygen](#)
[1 Tujhe Meri Kasam Video Songs Hd 1080p Blu-ray Download Movies!](#)
[Active File Recovery Enterprise V820 DOArar](#)
[FontExplorer X Pro 7.0.0 Build 20457 MacOS \[Full\]](#)
[Unduh Aplikasi Facebook For Nokia X2 Download Aplikasi For Nokia X2](#)
[Studio 5000 Logix Designer 66](#)
[Mardock Scramble: The First Compression movie download hd](#)